

ActiveEdge Nexus



Micron Accurate Automatic Wireless Adjustment on
Large Diameter Finish Boring - Modular Solution

Rigibore® The Most Accurately Adjustable Boring Tools in the World

Welcome to Rigibore®

Manufacturers of high quality tooling for precision hole boring

Rigibore's use of technology in manufacturing means we deliver our products, even complex multi-edge cutting tools, quicker than the competition.

We pride ourselves on our enquiry response time, our attention to detail, product quality and our commitment to customer satisfaction.

Our bespoke design and manufacturing system delivers high quality boring tools in the shortest delivery times.

Rigibore® is an award winning company recognised for its use of technology and commitment to customer focus.

What our customers say about us...

"Rigibore's quality and on-time delivery performance is outstanding and considered to be Best-in-Class."

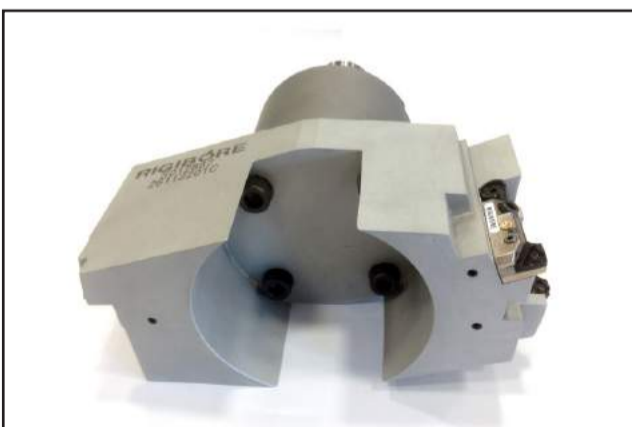
"The product, coupled with their knowledge of difficult boring applications has proven to be the perfect partner for a world class metalworking solutions provider."

"Rigibore® has customised their software and manufacturing services to fit our every need (and more importantly our customer's needs). Their flexibility is unparalleled."

Experience Matters

Our design experience guarantees that we can offer you the best tool solution for your boring application

Innovation, technology and quality in design and manufacture



Hayle, UK



Mukwonago, USA



Bangalore, India



Rigibore's ActiveEdge Nexus provides precision performance wireless cutting edge adjustments on large diameter boring requirements from \varnothing 275 mm (10.8268") – \varnothing 1020 (40.15748").

Tomorrow's Solution, Today

Rigibore's ActiveEdge Nexus revolutionises **large diameter finish boring** operations, affording organisations a solution to replace manually adjusted tools and harvesting the most productive and efficient manufacturing process.

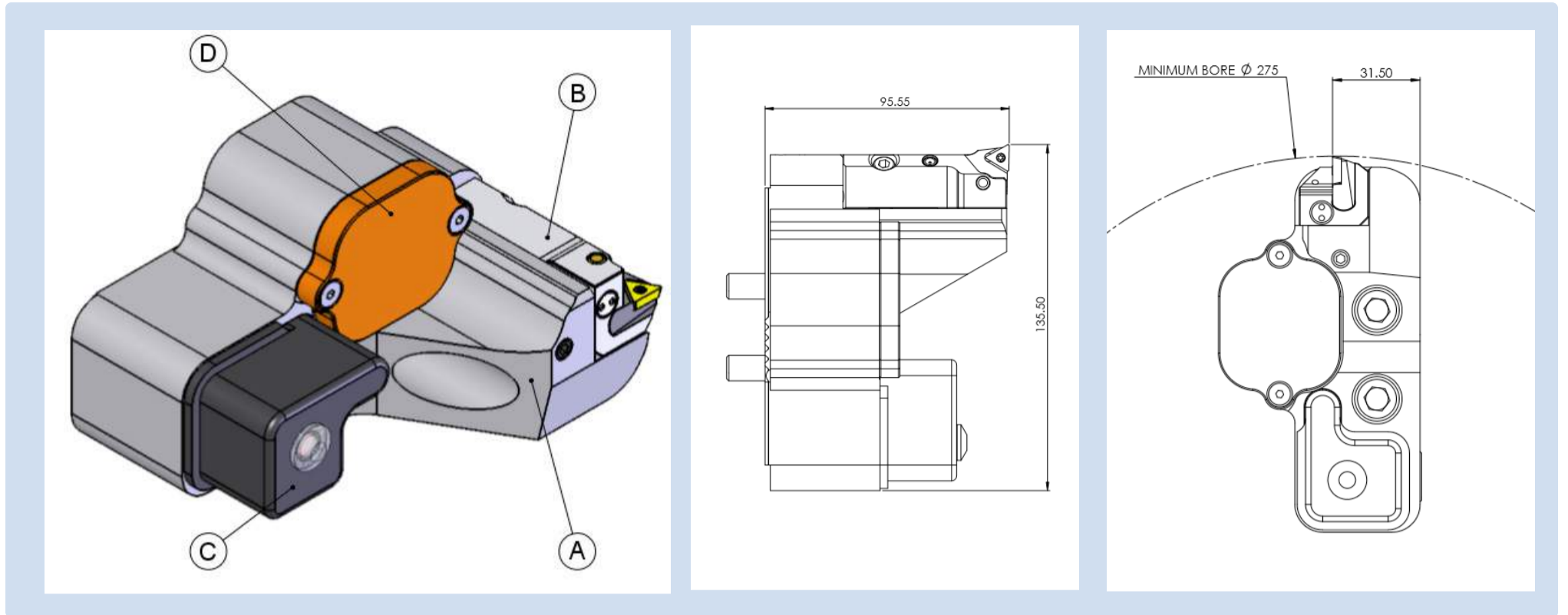
This modular solution added to standard flanges is adjusted via wireless transmission from accurate measurement data (either remotely or automatically), providing precision finishing and micron-accurate adjustment capabilities.



Nexus Benefits

- **Precision Performance** - Micron accurate adjustment, removing errors that exist in manual systems.
- **Reduced Downtime** - Wireless adjustment capabilities minimise non-productive time and accelerate productivity.
- **Improved Health and Safety** - Adjustments are made from outside the machine, removing the risk of operator injury.
- **Simplicity In Adjustment** - Precision tolerances can be easily met and maintained by operators of all skill and experience levels.
- **Automated Capabilities** - Nexus can deliver an automated '*two-cut finish process*', taking a first and final finish cut to ensure precision bores.





A) ActiveEdge Nexus

B) ActiveEdge Cartridge

Part Number	Insert	Insert Screw	Datum Radius	Approach *	Fine Adjustment Range Ø (mm)
AEF110390	TC..110304	RS2560	0.4	90°	0.6
AEF09T390	CC..09T304	RS4084	0.4	90°	0.6

*Other approach angles and insert geometries are available

C) Wireless and Control Hardware

D) Battery Compartment

4 Pcs - CR123A Lithium Batteries

ActiveEdge Nexus - Connecting Innovation

Rigibore's ActiveEdge Nexus provides precision performance wireless cutting edge adjustments on large diameter boring requirements from **Ø 275 mm (10.8268") – Ø 1020 (40.15748")**.

The ActiveEdge Nexus enables both coarse adjustment (set manually in the toolroom) and fine setting capabilities, in addition to the capability for automatic cutting-edge compensation in the machine tool.

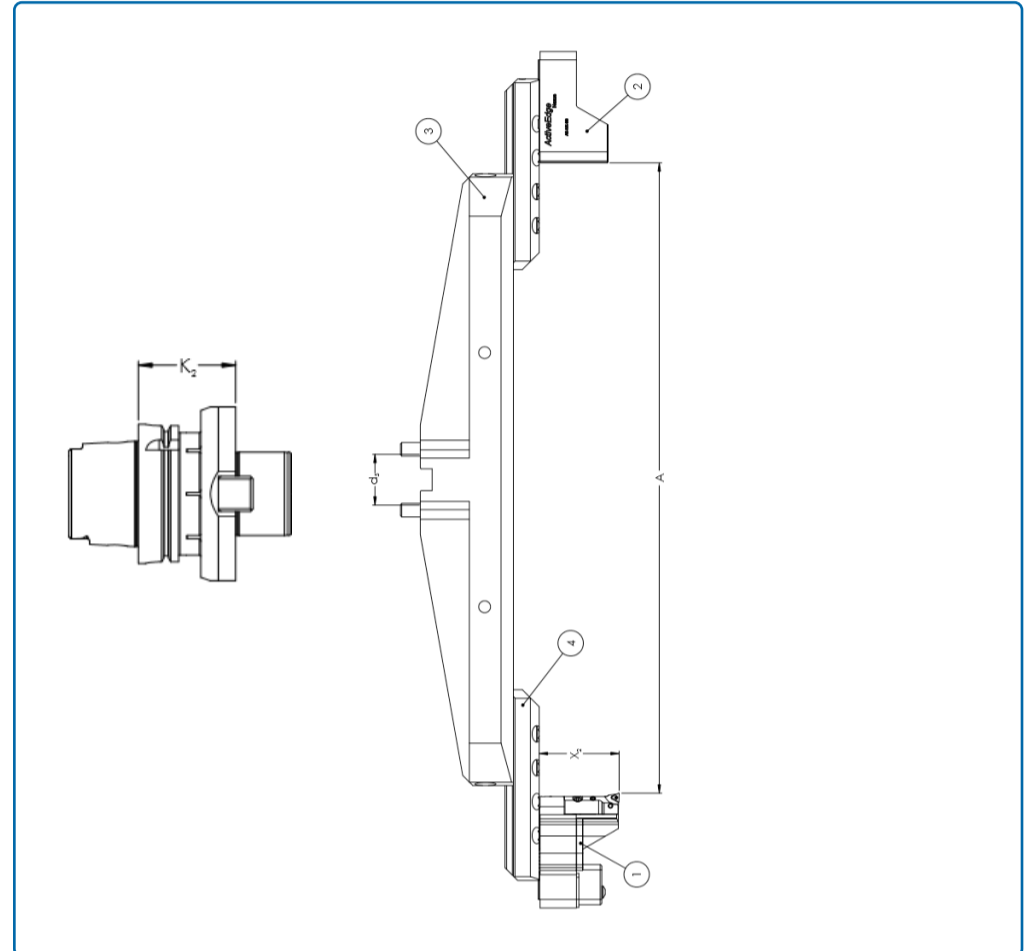
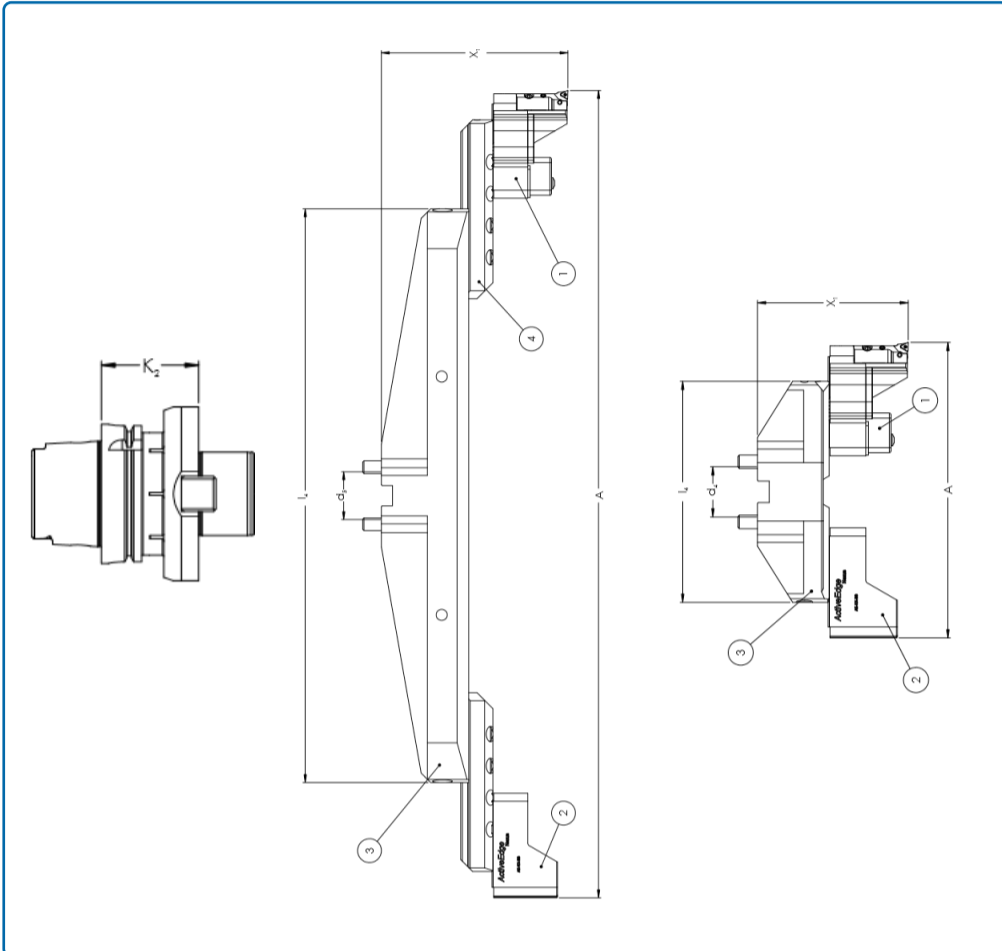
The Nexus is a self-contained module that can be added to standard flanges. The module comprises a wireless transceiver, battery and supports a micron adjustable ActiveEdge cartridge. ActiveEdge cartridges can be adjusted in the following ways: -

- 1. Manual Adjustment (ActiveEdge Remote Control)** – Simple, fast, and micron accurate wireless adjustments are made at the push of a button. This method removes the need for the operator to enter the machine envelope to physically adjust the tool.
- 2. Automatic Adjustment (Rigibore's Zenith Solution)** – This closed-loop manufacturing solution uses in-process measurement data to automatically adjust for temperature change, insert wear and material inconsistency. Precision cutting edge changes are made with no operator intervention, allowing productivity to be maximised whilst removing the risk of scrap.

Boring and Overturning Capabilities

Rigibore's ActiveEdge Nexus is flexible, offering the same precision performance capabilities for overturning operations as it does on standard boring.

Please see the below technical information on our boring and overturning capabilities with Rigibore's ActiveEdge Nexus.



Boring						
Cutting Range(mm)	(1) Nexus Module	(2)Balance Block	(3)Wohlhaupter Flange	(4) Flange Adapter	X1 (mm)	d5(mm)
275 - 355	AE-NXF1..	AE-NX-BB	349 002	-	178.5	D60
350 - 430	AE-NXF1..	AE-NX-BB	349 003	-	178.5	D60
425 - 505	AE-NXF1..	AE-NX-BB	349 004	-	178.5	D60
465 - 745	AE-NXF1..	AE-NX-BB	349 005	AE-NX-FA	203.5	D60
740 - 1020	AE-NXF1..	AE-NX-BB	349 006	AE-NX-FA	203.5	D60

Overturning						
Cutting Range(mm)	(1) Nexus Module	(2)Balance Block	(3)Wohlhaupter Flange	(4) Flange Adapter	X2(mm)*	d5(mm)
Note 1	AE-NXF1..	AE-NX-BB	349 002	-	93.5	D60
Note 1	AE-NXF1..	AE-NX-BB	349 003	-	93.5	D60
Note 1	AE-NXF1..	AE-NX-BB	349 004	-	93.5	D60
190-460	AE-NXF1..	AE-NX-BB	349 005	AE-NX-FA	93.5	D60
455-735	AE-NXF1..	AE-NX-BB	349 006	AE-NX-FA	93.5	D60

Note 1: Please contact Rigibore for more information.

*Cutting length can be increased with custom spacers. Please contact Rigibore for more details.

Shank Adaptor		
Shank Type	Part Number	Wohlhaupter Flange
BT50	326 062	349 002/3/4/5/6
7388/DIN 69871-50	326 083	349 002/3/4/5/6
HSK100A	258 098	349 002
	258 061	349 003/4/5/6
MVS100	209 043	349 002/3/4/5/6
Other shank types are available. Please contact Rigibore.		



Remote Adjustment

AE-RC-...



How to Contact Us

Telephone a Rigibore representative or email us using the addresses below

India

Rigibore India Private Limited
Brindavan, #4/1 Ground Floor
Millers Road
Bangalore
560 052
India

Tel: +91 80 4125 3035
Email: info@rigibore-india.com

Global (excl. USA & Mexico)

Rigibore Ltd
Guildford Road Ind. Est.
Hayle
Cornwall TR27 4BA
United Kingdom

Tel: +44 (0) 1736 755 355
Fax: +44 (0) 1736 756 100
Email: info@rigibore.com

USA & Mexico

Rigibore Inc
700 Swan Drive
Mukwonago
WI 53149
USA

Tel: 262 363 3922
Fax: 262 363 3685
Email: info@rigiboreinc.com